

**安装说明**

**ROYAL KNIGHT 120 系列**

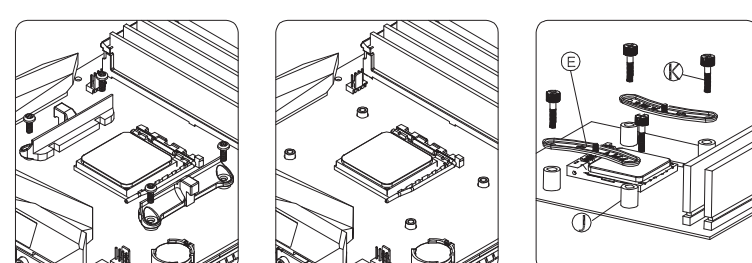
! 安装前请先去除铜底保护膜

www.thermalright.com

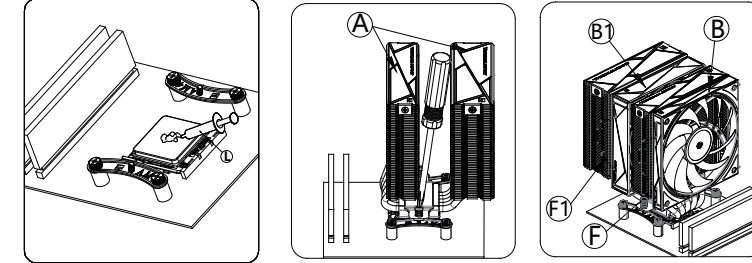
配件清单

A 散热器 x1	B 12015 风扇 x1	B1 12028 风扇 x1	C LGA115X/1700 背板 x1
D INTEL 支架 x2	E AM4/AM5 支架 x2	F 12015 风扇扣 x2	F1 12028 风扇扣 x2
G 1200 黑色胶柱 x4	H LGA20xx 螺柱 x4	I 螺帽 x4	J AM4 红色胶柱 x4
K AM4/AM5 螺丝 x4	L 导热膏 x1	M 1700 蓝色胶柱 x4	N Y型转接线 x1

AMD AM4/AM5

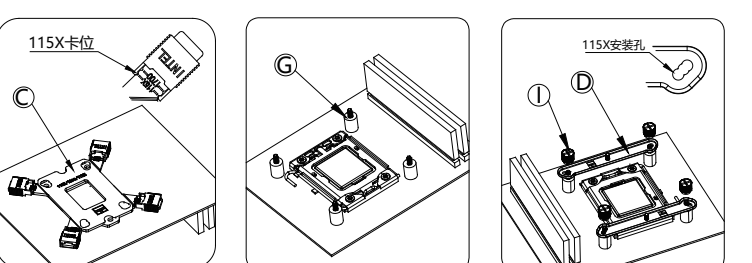


移除AMD原装塑胶支架, 保留背板. 放置AM4/AM5胶柱, 使用AM4/AM5螺丝将支架固定到主板.

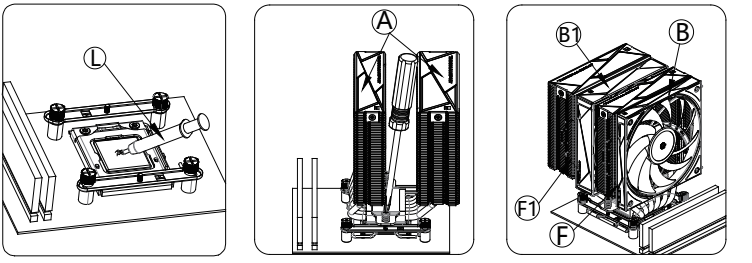


涂好导热膏, 然后用螺丝刀锁好主体, 再用风扇线扣固定风扇

INTEL LGA115X/1200

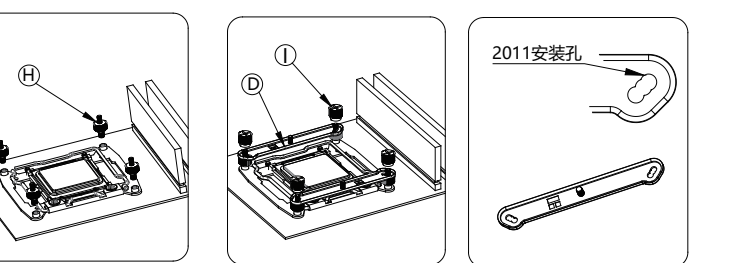


将背板推到LGA115X卡位, 对应主板孔位穿过主板, 然后从正面套入LGA1200胶柱, 放置Intel支架再用螺帽固定住.

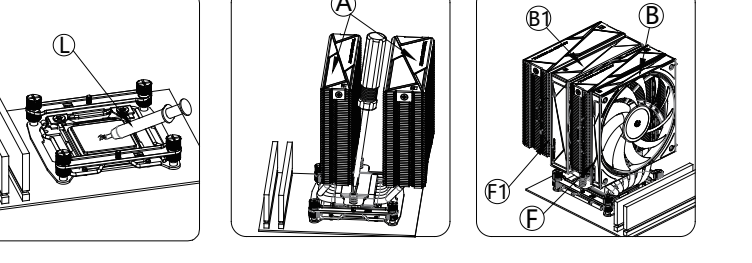


涂好导热膏, 然后用螺丝刀锁好主体, 再用风扇线扣固定风扇

INTEL LGA2011/2066

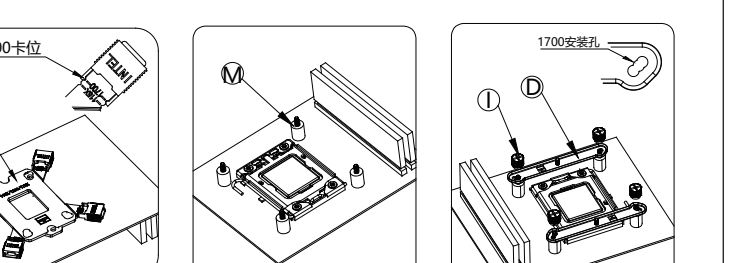


将LGA20XX螺柱拧到主板, 然后放置支架, 再用螺帽固定住INTEL支架.

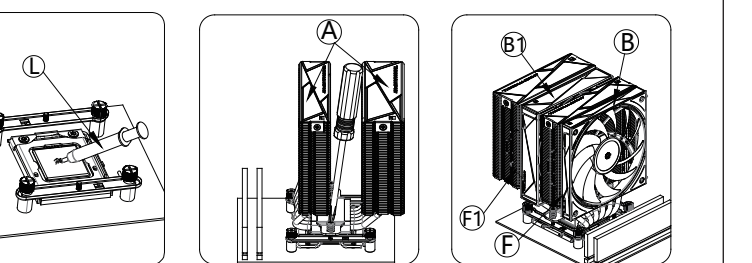


涂好导热膏, 然后用螺丝刀锁好主体, 再用风扇线扣固定风扇

INTEL LGA1700/1851

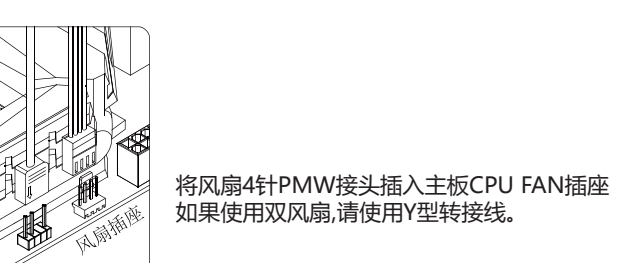


将背板推到LGA1700卡位, 对应主板孔位穿过主板, 然后从正面套入LGA1700胶柱, 放置Intel支架再用螺帽固定住.

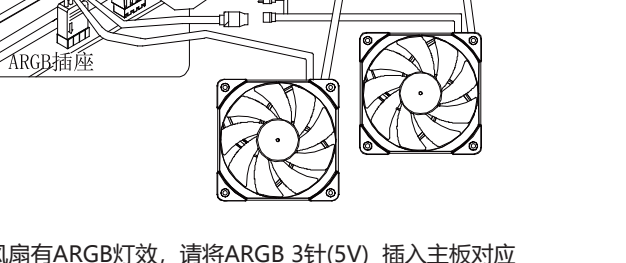


涂好导热膏, 然后用螺丝刀锁好主体, 再用风扇线扣固定风扇


风扇接线



将风扇4针PWM接头插入主板CPU\_FAN插座, 如果使用双风扇, 请使用Y型转接线.



如果风扇有ARGB灯效, 请将ARGB 3针(5V) 插入主板对应ARGB灯效插座或者控制器, 多风扇之间可串联同步.



**INSTALLATION GUIDE**

**ROYAL KNIGHT 120 Series**

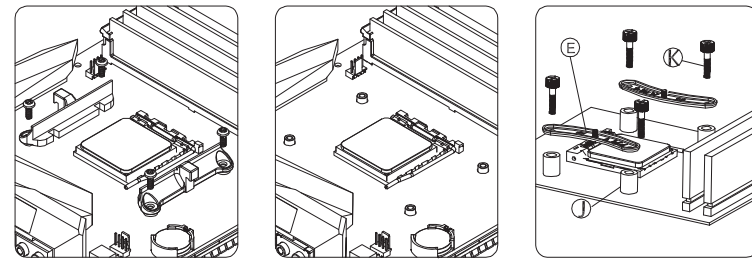
Please remove protective sticker before install

www.thermalright.com

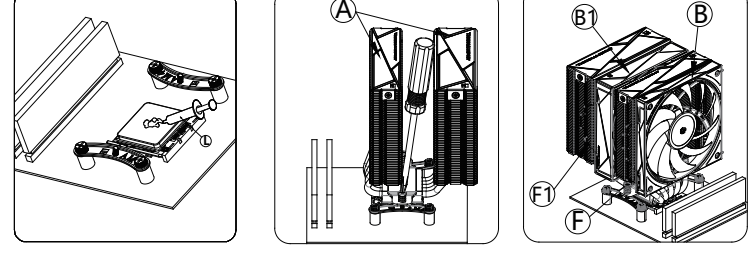
parts list

A Heatsink x1	B 12015 FAN x1	B1 12028 FAN x1	C LGA115X/1700 Backplate x1
D INTEL Bracket x2	E AM4/AM5 Bracket x2	F 12015 FAN Clip x2	F1 12028 FAN Clip x2
G 1200 Stsndoff x4	H LGA20xx Screw x4	I Tightening Nut x4	J AM4/AM5 Stsndoff x4
K AM4/AM5 Screw x4	L Thermal Greasa x1	M 1700 Stsndoff x4	N FAN Y Cable x1

AMD AM4/AM5

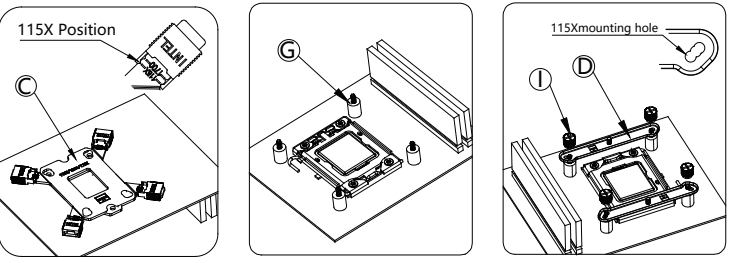


Remove AMD plastic brackets, Keep the back plate, install AM4/AM5 metal brackets with AM4/AM5 screws and AM4/ AM5 plastic standoffs

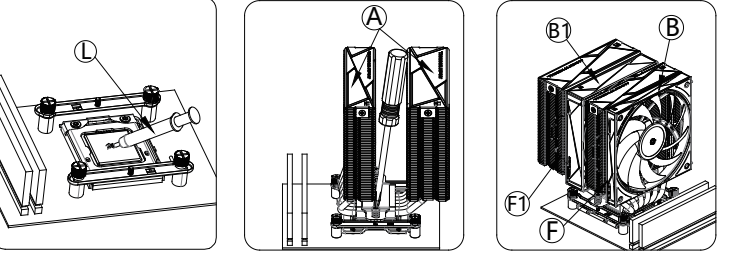


Apply thermal compound on CPU, install the heatsink with a screw driver, and install fans on heatsink with fan clips.

INTEL LGA115X/1200

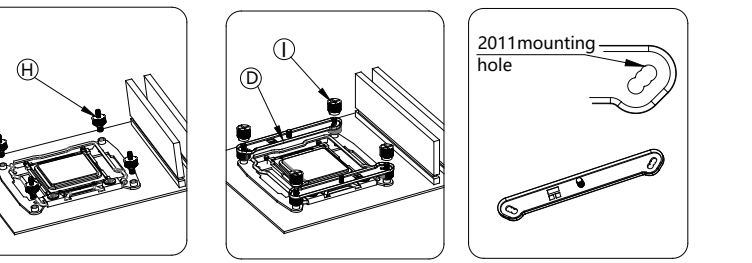


Adjust intel backplate hole position to 115X, then install backplate from backside of motherboard. Install 115X standoffs to backplate screws, then install intel brackets on standoffs with nuts.

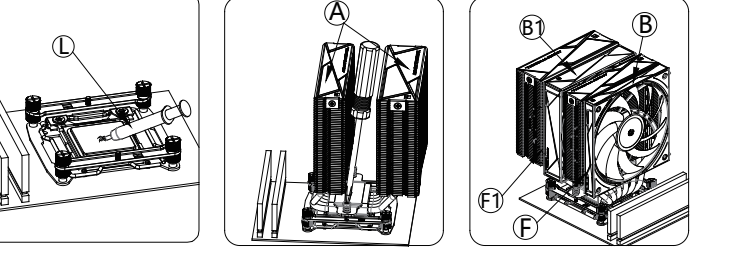


Apply thermal compound on CPU, install the heatsink with a screw driver, and install fans on heatsink with fan clips.

INTEL LGA2011/2066

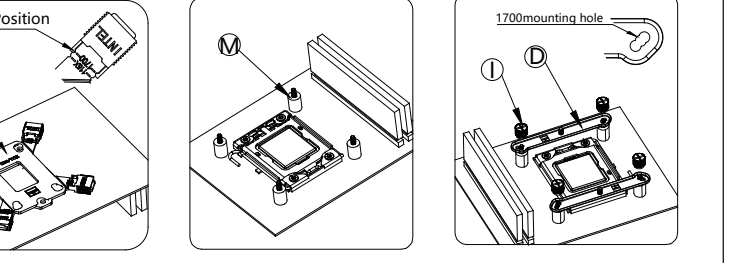


Install four Intel LGA20XX screws on motherboard ILM, Install two Intel brackets on LGA20XX screws, secure them with nuts, LGA20XX mounting hole on Intel brackets.

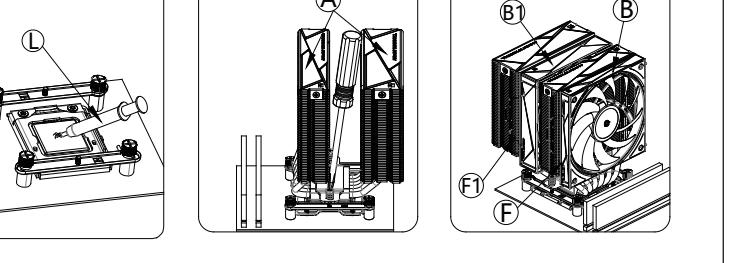


Apply thermal compound on CPU, install the heatsink with a screw driver, and install fans on heatsink with fan clips.

INTEL LGA1700/1851

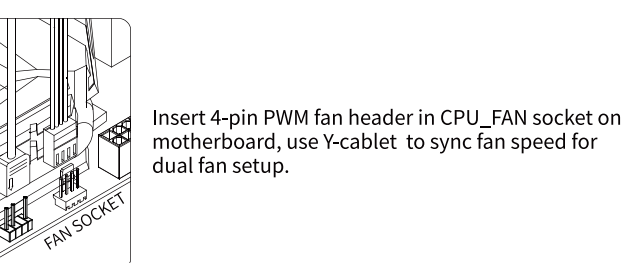


Adjust intel backplate hole position to 1700, then install backplate from backside of motherboard. Install 1700 standoffs to backplate screws, then install intel brackets on standoffs with nuts.

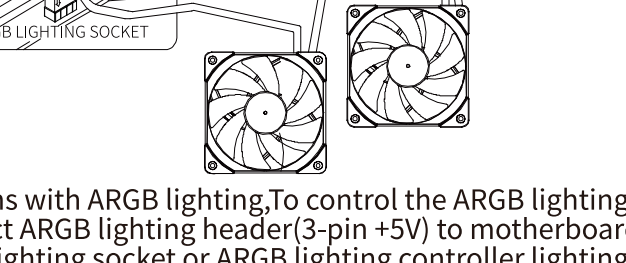


Apply thermal compound on CPU, install the heatsink with a screw driver, and install fans on heatsink with fan clips.

Fan Wiring



Insert 4-pin PWM fan header in CPU\_FAN socket on motherboard, use Y-cablet to sync fan speed for dual fan setup.



For Fans with ARGB lighting, To control the ARGB lighting, connect ARGB lighting header(3-pin +5V) to motherboard ARGB lighting socket or ARGB lighting controller, lighting effects can be sync by connecting fan lighting headers with each other