

安装说明

PEERLESS ASSASSIN 140 SE 系列

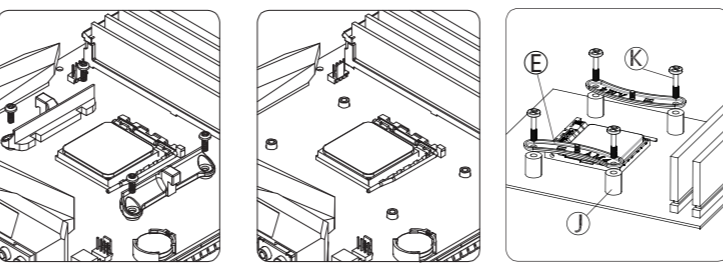
! 安装前请先去除铜底保护膜

www.thermalright.com

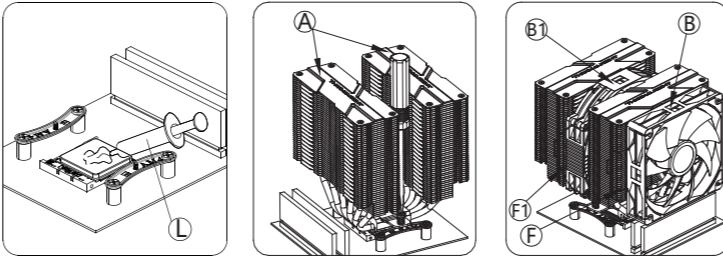
配件清单

A 散热器 x1	B 120mm风扇 x1	B1 140mm 风扇 x1	LGA115X/1700 背板 x1
D INTEL 支架 x2	E AM4/AM5 支架 x2	F 120mm 风扇扣 x2	F1 140mm 风扇扣 x2
G 1200 黑色胶柱 x4	H INTEL 螺丝 x4	I Y型转接线 x1	J AM4 红色胶柱 x4
K AM4/AM5 螺丝 x4	L 导热膏 x1	M 1700 蓝色胶柱 x4	

AMD AM4/AM5

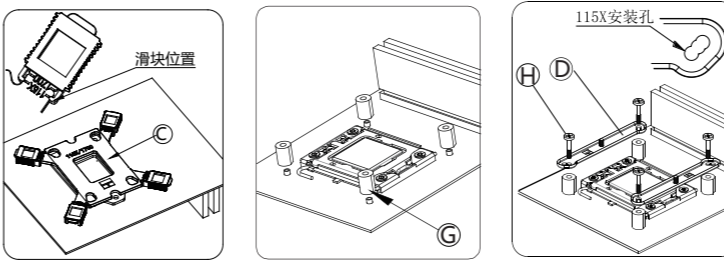


移除AMD原装塑胶支架, 保留背板; 放置AM4/AM5胶柱, 使用AM4/AM5螺丝将支架固定到主板。

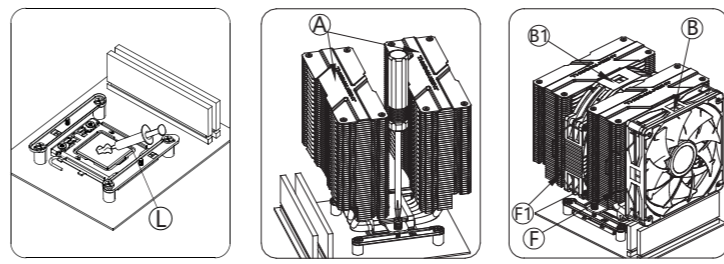


涂好导热膏, 然后用螺丝刀锁好主体, 再用风扇线扣固定风扇

INTEL LGA115X/1200

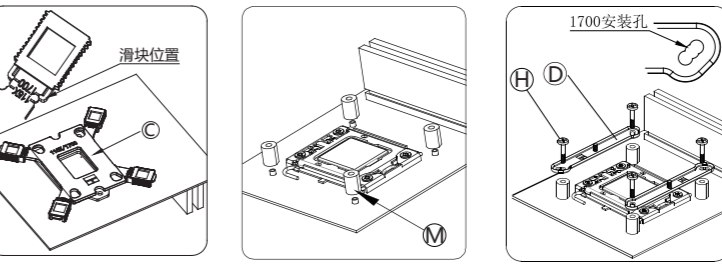


将背板【C】推到115X位置放置在主板背面, 然后正面放置胶柱【G】, 扣具【D】, 再用螺丝【H】固定住扣具。

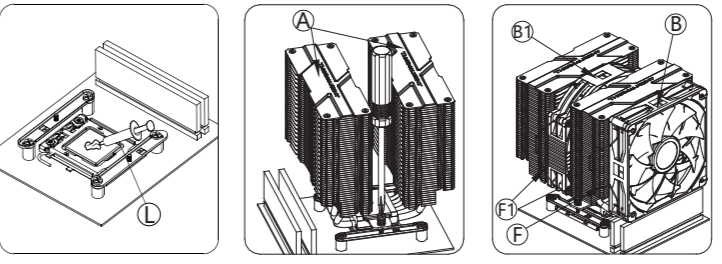


涂好导热膏, 然后用螺丝刀锁好主体, 再用风扇线扣固定风扇

INTEL LGA1700/1851

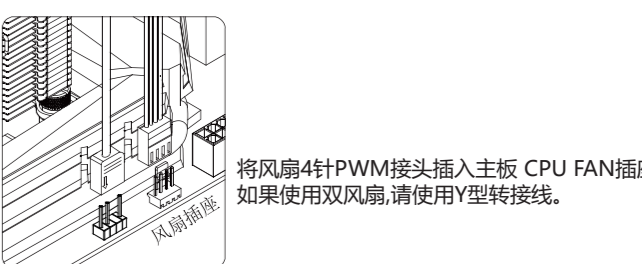


将背板【C】推到1700位置放置在主板背面, 然后正面放置胶柱【M】, 扣具【D】, 再用螺丝【H】固定住扣具。

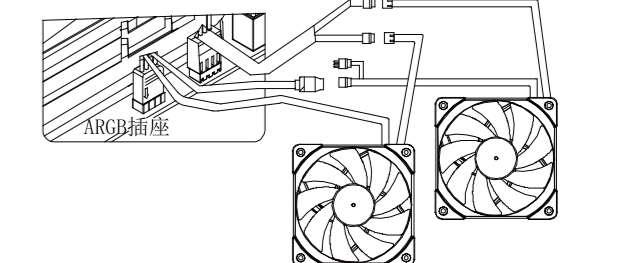


涂好导热膏, 然后用螺丝刀锁好主体, 再用风扇线扣固定风扇


风扇接线



将风扇4针PWM接头插入主板 CPU_FAN插座, 如果使用双风扇, 请使用Y型转接线。



如果风扇有ARGB灯效, 请将ARGB 3针 (5V) 插入主板对应 ARGB灯效插座或者控制器, 多风扇之间可串联同步。



INSTALLATION GUIDE

PEERLESS ASSASSIN 140 SE Series

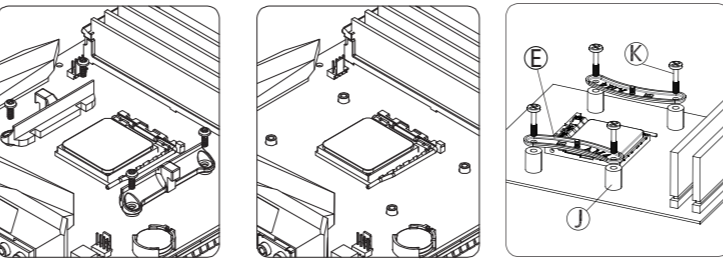
Please remove protective sticker before install

www.thermalright.com

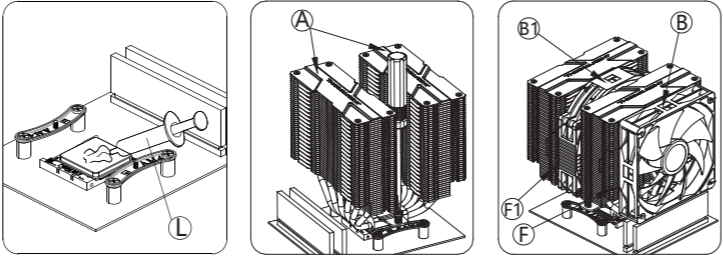
Parts List

A Heatsink x1	B 120mm FAN x1	B1 140mm FAN x1	LGA115X/1700 Backplate x1
D INTEL Bracket x2	E AM4/AM5 Bracket x2	F 120mm FAN Clip x2	F1 140mm FAN Clip x2
G 1200 Standoffs x4	H INTEL Screw x4	I FAN Y Cable x1	J AM4/AM5 Standoffs x4
K AM4/AM5 Screw x4	L Thermal Grease x1	M 1700 Standoffs x4	

AMD AM4/AM5

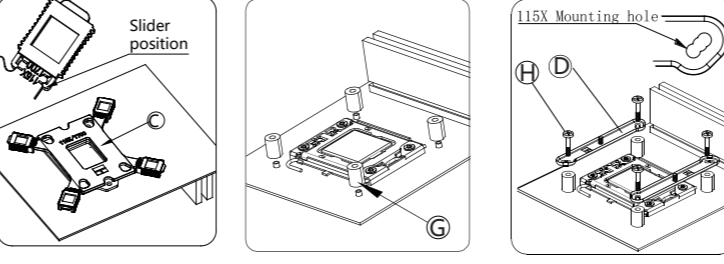


Remove AMD plastic brackets, Keep the back plate, install AM4/AM5 metal brackets with AM4/AM5 screws and AM4/AM5 plastic standoffs

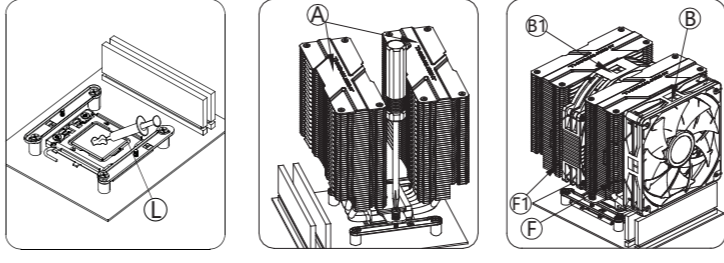


Apply thermal compound on CPU, install the heatsink with a screw driver, and install fans on heatsink with fan clips.

INTEL LGA115X/1200

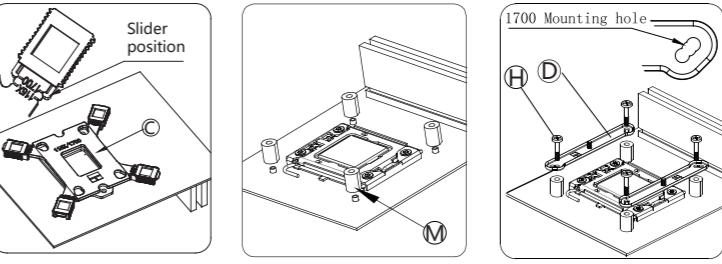


Adjust backplate mounting hole position, install backplate from back side of motherboard, place LGA115X/1200 standoffs from front side, install brackets with screws.

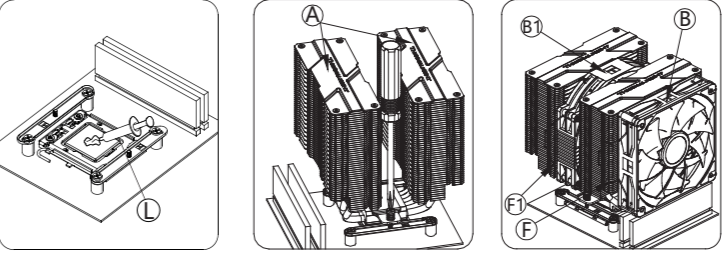


Apply thermal compound on CPU, install the heatsink with a screw driver, and install fans on heatsink with fan clips.

INTEL LGA1700/1851

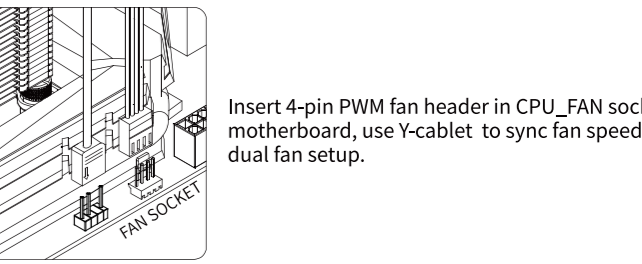


Adjust backplate mounting hole position, install backplate from back side of motherboard, place LGA1700 standoffs from front side, install brackets with screws.

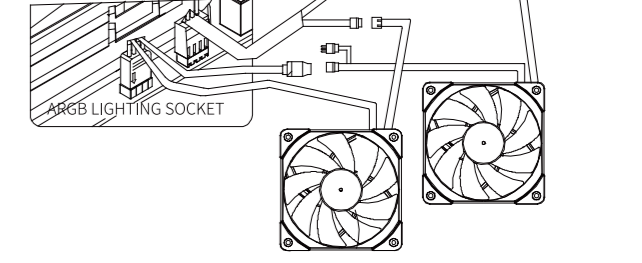


Apply thermal compound on CPU, install the heatsink with a screw driver, and install fans on heatsink with fan clips.

Fan Wiring



Insert 4-pin PWM fan header in CPU_FAN socket on motherboard, use Y-cable to sync fan speed for dual fan setup.



For Fans with ARGB lighting, To control the ARGB lighting, connect ARGB lighting header (3-pin +5V) to motherboard ARGB lighting socket or ARGB lighting controller, lighting effects can be sync by connecting fan lighting headers with each other