

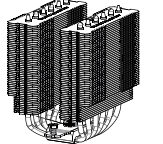
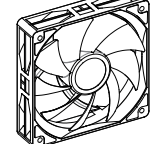
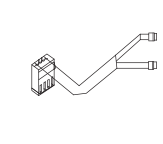
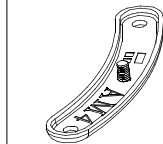
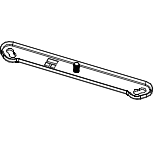
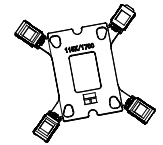
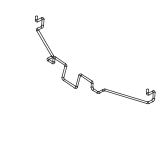
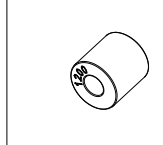
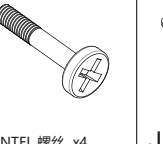
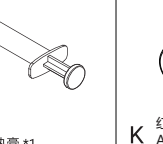
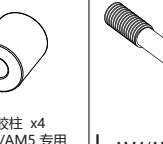
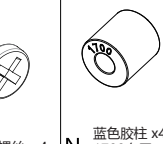


安装说明

Peerless Assassin 120 SE V2 系列

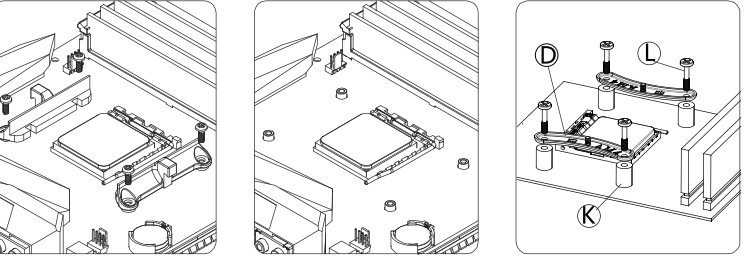
! 安装前请先去除铜底保护膜

www.thermalright.com

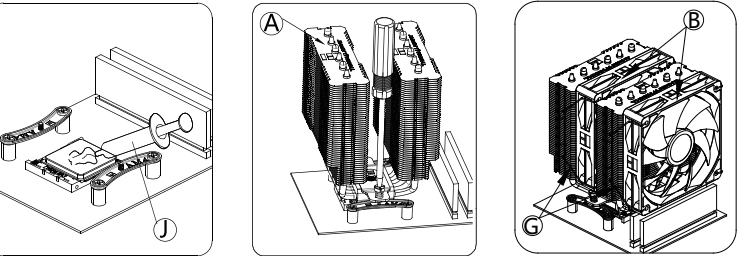
配件清单

 A 散热器 *1	 B 风扇 *2	 C Y型转接线	 D AM4/AM5支架 x2
 E INTEL支架 *2	 F LGA1700/115X 背板 x1	 G 风扇扣 *4	 H 黑色胶柱 *4 115X 专用
 I INTEL 螺丝 x4	 J 导热膏 *1	 K 红色胶柱 x4 AM4/AM5 专用	 L AM4/AM5 螺丝 x4
 M AM4/AM5 螺丝 x4	 N 蓝色胶柱 x4 1700专用		

AMD AM4/AM5

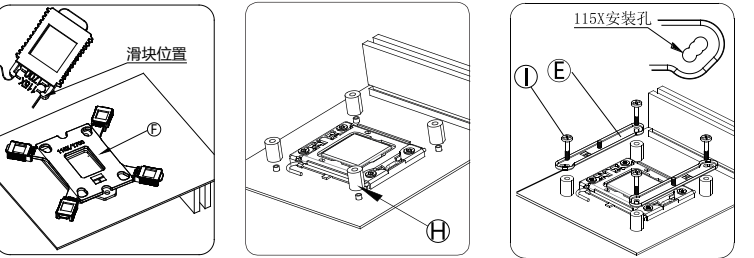


移除AMD原装塑胶支架, 保留背板,使用AM4/AM5螺丝将支架锁紧到主板原配背板

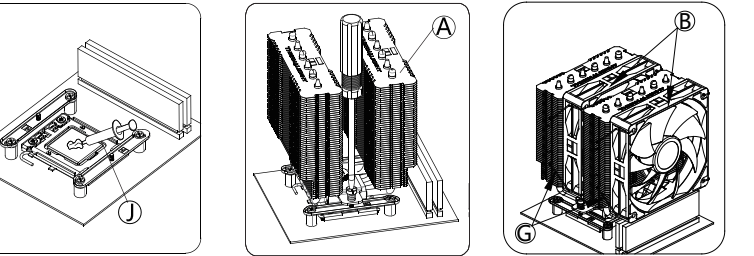


涂好导热膏, 然后用螺丝刀锁好主体, 再用风扇线扣固定风扇

INTEL 115X/1200

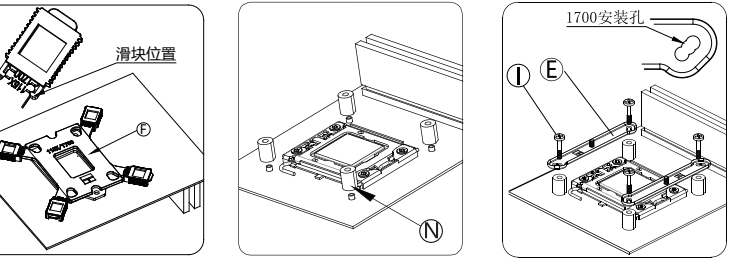


将背板【F】推到115X位置放置在主板背面,然后正面放置胶柱【H】,扣具【E】,再用螺丝【I】固定住扣具。

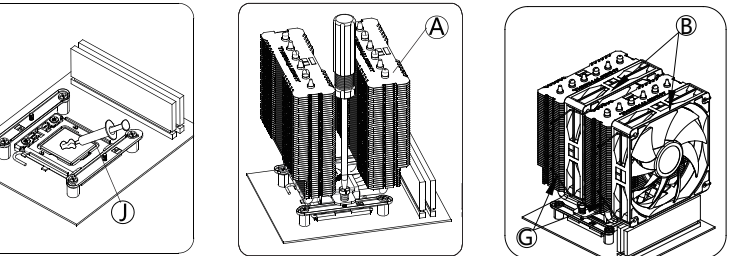


涂好导热膏, 然后用螺丝刀锁好主体, 再用风扇线扣固定风扇

INTEL 1700/1851

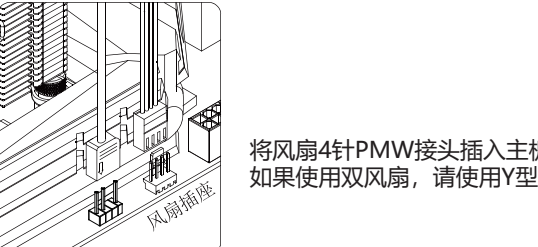


将背板【F】推到1700位置放置在主板背面,然后正面放置胶柱【N】,扣具【E】,再用螺丝【I】固定住扣具。

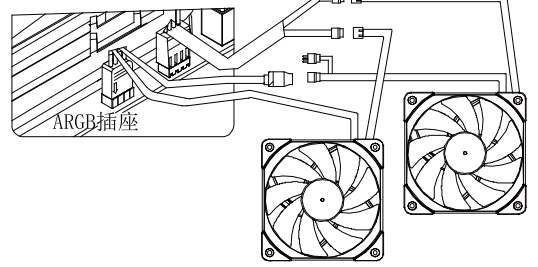


涂好导热膏, 然后用螺丝刀锁好主体, 再用风扇线扣固定风扇


风扇接线



将风扇4针PWM接头插入主板CPU_FAN插座, 如果使用双风扇, 请使用Y型转接线。



如果风扇有ARGB灯效, 请将ARGB 3针(5V) 插入主板对应ARGB灯效插座或者控制器, 多风扇之间可串联同步。



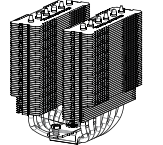
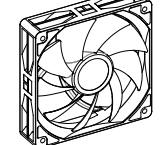
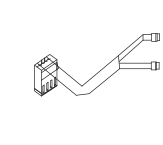
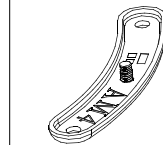
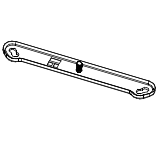
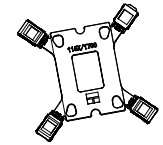
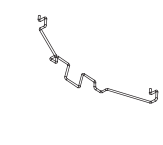
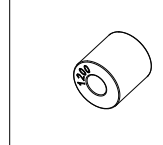
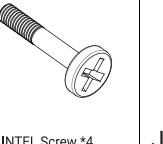
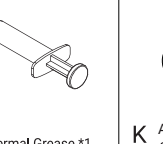
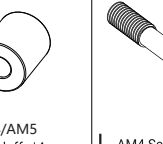
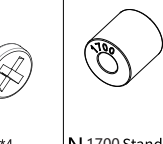
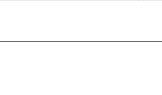

INSTALLATION GUIDE

Peerless Assassin 120 SE V2 Series

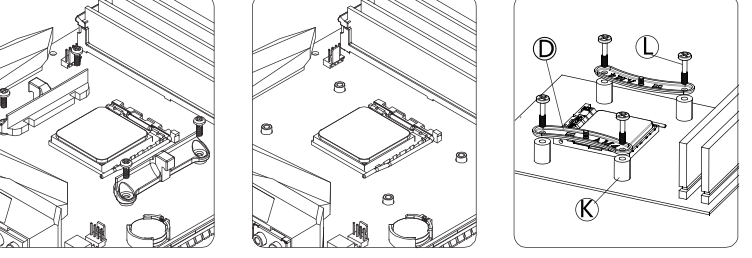
Please remove protective sticker before install

www.thermalright.com

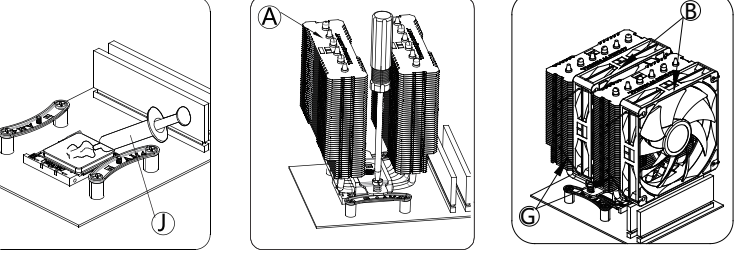
Parts List

 A Heatsink *1	 B Fan *2	 C Fan Y-Cable*1	 D AM4/AM5 Bracket x2
 E INTEL Bracket *2	 F LGA1700/115X Back Plate x1	 G FAN Clip *4	 H 115X/1200 Standoff *4
 I INTEL Screw *4	 J Thermal Grease *1	 K AM4/AM5 Standoff *4	 L AM4 Screw *4
 M AM4/AM5 Screw *4	 N 1700 Standoff x4		

AMD AM4/AM5

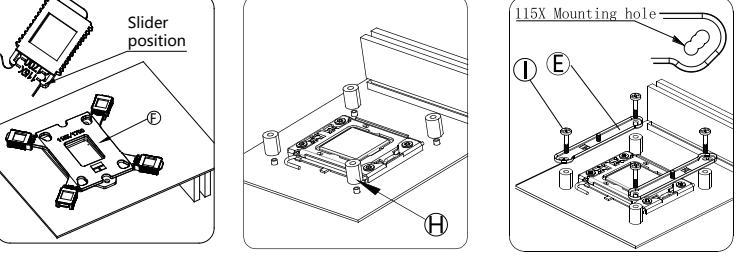


REMOVE AMD plastic brackets, KEEP the back plate, install AM4/AM5 metal brackets with AM4/AM5 screws and AM4/AM5 plastic standoffs

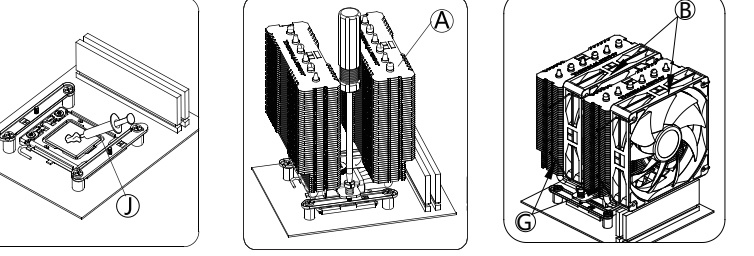


Apply thermal grease on CPU, install the heatsink with a screw driver, and install fans on heatsink with fan clips

INTEL 115X/1200

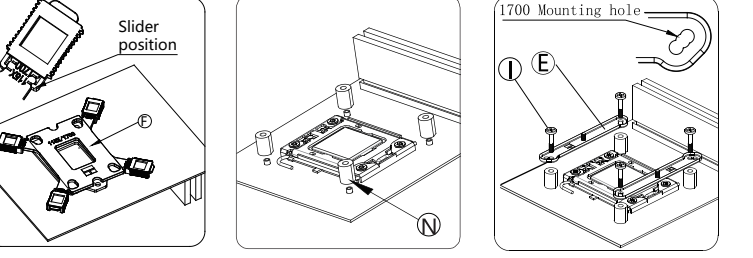


Adjust backplate mounting hole position, install backplate from back side of motherboard, place LGA115X/1200 standoffs from front side, install brackets with screws.

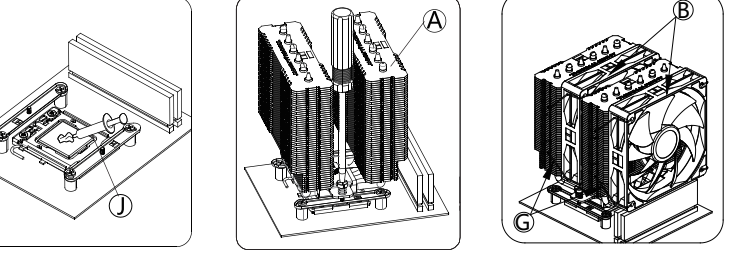


Apply thermal grease on CPU, install the heatsink with a screw driver, and install fans on heatsink with fan clips

INTEL 1700/1851

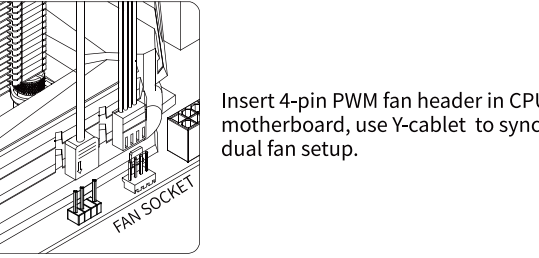


Adjust backplate mounting hole position, install backplate from back side of motherboard, place LGA1700 standoffs from front side, install brackets with screws.

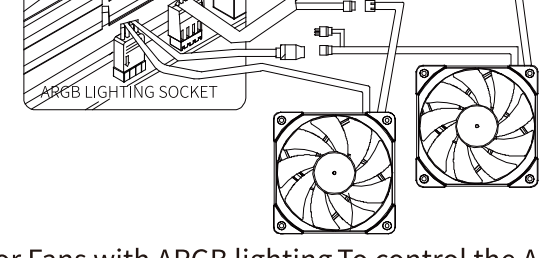


Apply thermal grease on CPU, install the heatsink with a screw driver, and install fans on heatsink with fan clips

Fan Wiring



Insert 4-pin PWM fan header in CPU_FAN socket on motherboard, use Y-cable to sync fan speed for dual fan setup.



For Fans with ARGB lighting, To control the ARGB lighting, connect ARGB lighting header(3-pin +5V) to motherboard ARGB lighting socket or ARGB lighting controller, lighting effects can be sync by connecting fan lighting headers with each other